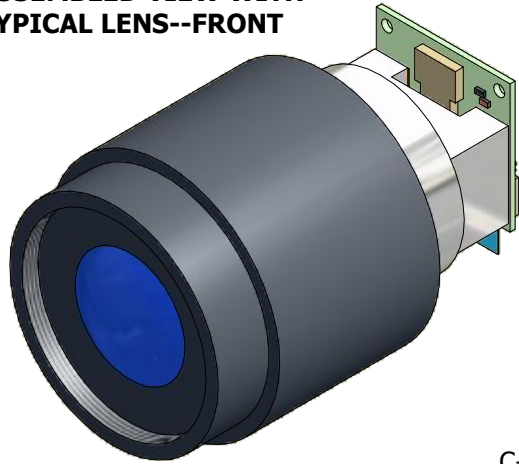


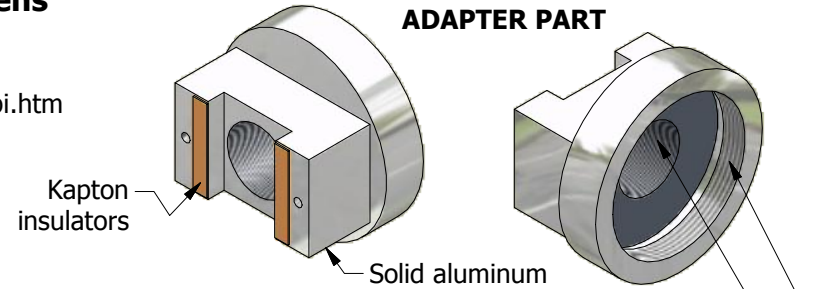
**ASSEMBLED VIEW WITH TYPICAL LENS--FRONT**



**Raspberry Pi  
Camera Module  
C-Mount / M12 / DSLR Lens  
Universal Adapter**

<http://www.truetex.com/raspberrypi.htm>

**COMBINATION  
M12 and C-MOUNT  
ADAPTER PART**



Kapton insulators

Solid aluminum CNC machined custom fabrication

**EXPLODED VIEW WITH TYPICAL C-MOUNT LENS**

Attachment screws provided

C-mount standard lens receptacle, 1"-32 thread

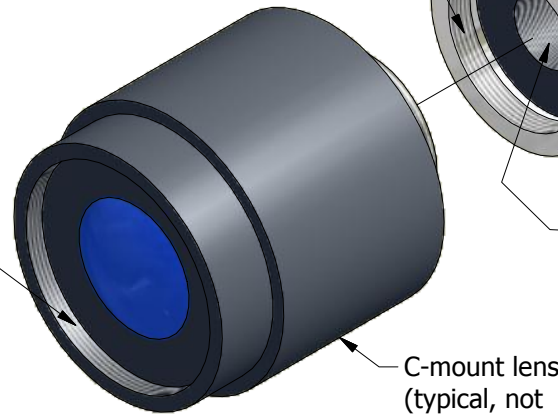
Directly accepts standard lenses in both M12 micro-video format and C-mount format. Add stock DSLR-to-C-mount adapter (not included) to fit DSLR lenses.

Before installing adapter, disassemble and remove stock lens from camera module

Install C-mount lens adapter part

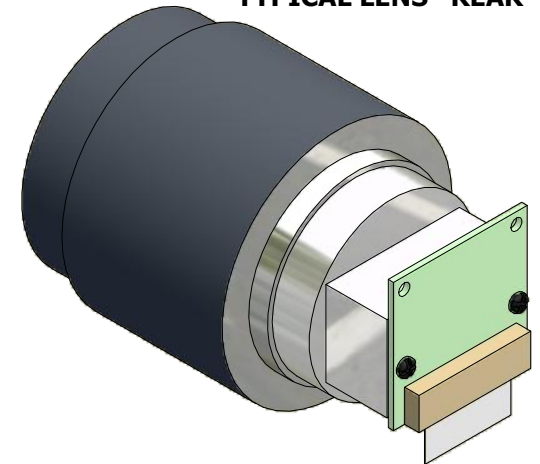
M12 lens receptacle thread, M12 x 0.5

For applications requiring a filter or close-up lens attachment, select a C-mount lens which provides a filter thread receptacle.



C-mount lens (typical, not included)

**ASSEMBLED VIEW WITH TYPICAL LENS--REAR**



Works with stock Raspberry Pi camera module (IR blocking filter is retained), or with Pi Noir camera module (no IR blocking).

Disable Raspberry Pi software lens correction (for the stock lens) when using well-corrected alternative lenses.

See Web page to calculate field-of-view for a given lens with alternative focal-length.

0.690 / 17.54 mm  
C-mount standard parfocal flange distance

0.221 / 5.62 mm  
Available depth for rearward projection of lens thread (standard lenses project 4mm or less)

**PARFOCAL DESIGN**

C-mount lens flange registration surface

Camera module sensor plane

Richard J Kinch, PhD -- Palm Beach County, Florida USA -- <http://www.truetex.com/raspberrypi.idw>