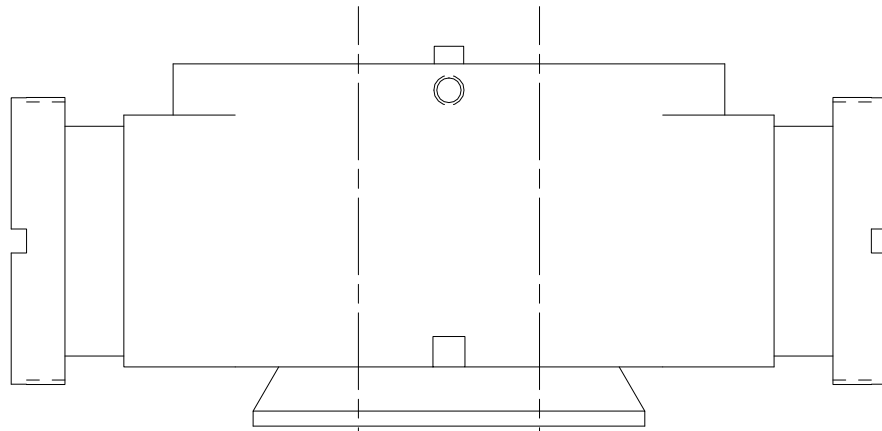
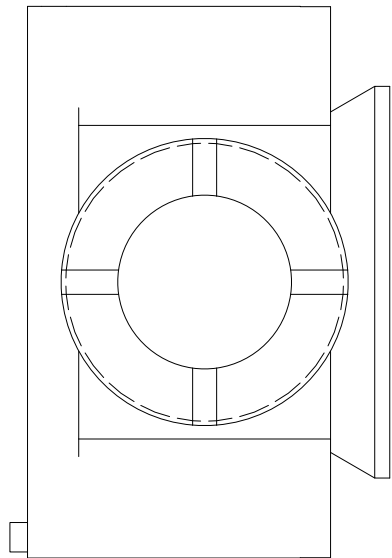


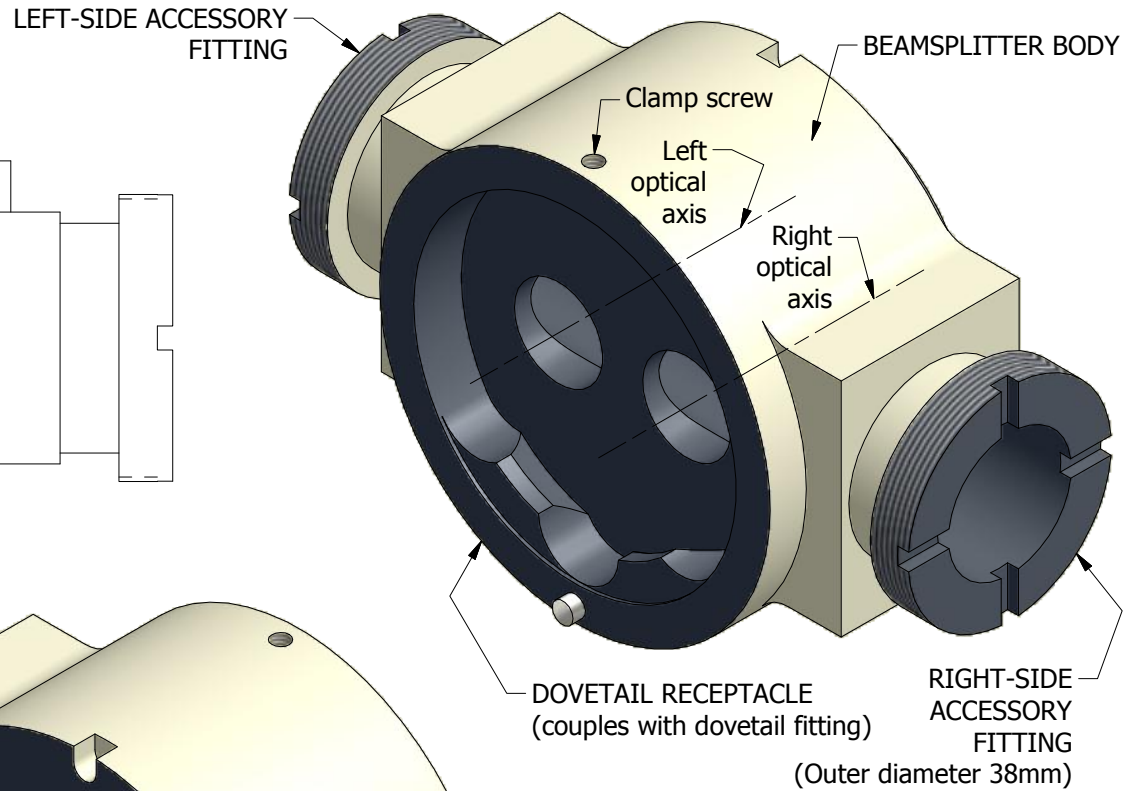
**GLOBAL BRAND  
OPERATING MICROSCOPE BEAMSPLITTER  
DOVETAIL FITTING and  
ACCESSORY FITTING**



0.945 / 24.00 mm  
Left-right optical  
axis spacing  
(vs Zeiss=22mm)



Dovetail outer diameter  
Ø2.040 / 51.81 mm



**ZEISS-vs-GLOBAL  
NON-COMPATIBILITY:**

Global brand dovetail geometry is similar to the Zeiss OPMI standard dovetail but the dimensions are slightly different and the fittings are not compatible. Global's accessory fittings employ a different mechanical principle than Zeiss, which is not compatible with Zeiss. The optical axis spacing also differs, hence dovetail adapters are infeasible. Global accessory ports can be mechanically adapted to accept Zeiss attachments, and vice versa, subject to optical stop limitations on length.