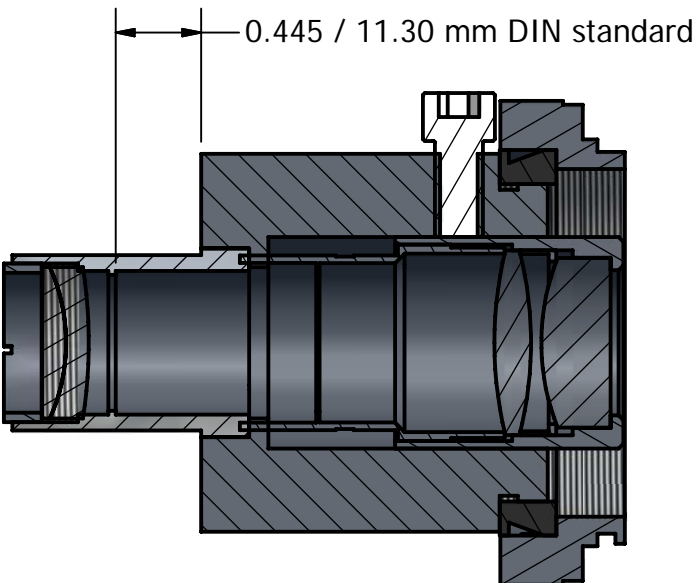


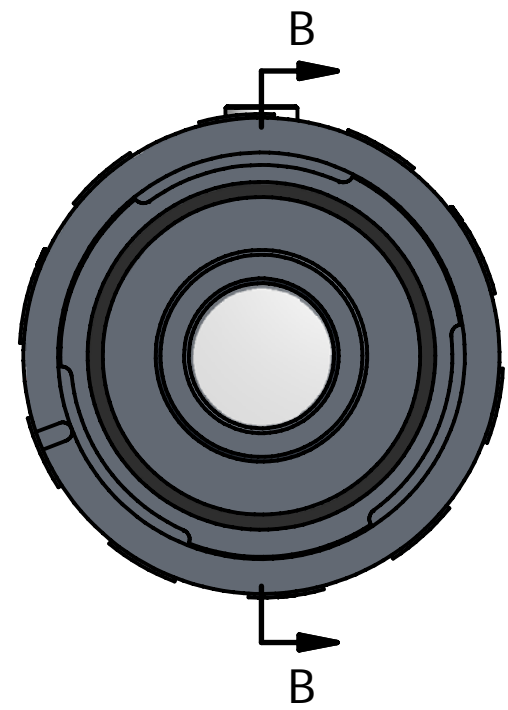
2



1



Adapter for Digital SLR cameras to 23.2mm Photoport or Eyetube via T-mount

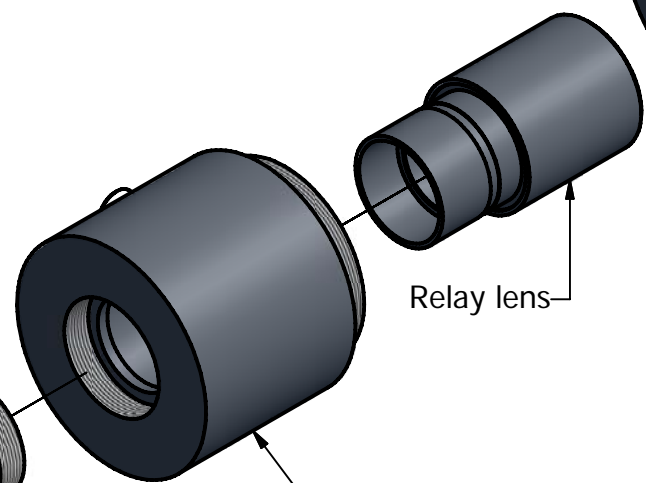
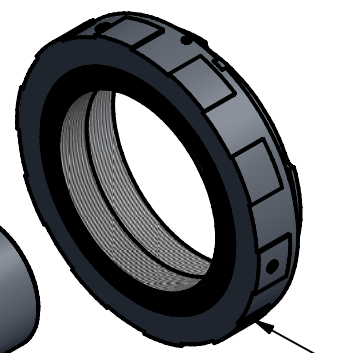


NOTES

The position of the relay lens telescopes within the adapter's inner diameter to permit you to adjust the relay lens back and forth for obtaining parfocality. Loosen thumbscrew and adjust position of relay lens within the assembly so that it projects (out) as far back as possible without interfering with camera mirror. Make further adjustments (in) by trial and error to calibrate parfocality of the camera viewfinder with your instrument's eyepiece view. Once you have obtained a proper adjustment, tighten the thumbscrew to lock this position.

To remove field lens for cleaning, remove retaining ring. When reassembling, note that flatter side of lens goes toward the microscope, more convex side to camera.

To remove relay lens for cleaning, loosen thumbscrew. Disassemble relay lens by unscrewing mating tubes. Observe position and orientation of lens elements and spacers while disassembling for proper reassembly, following cross-section diagram above.

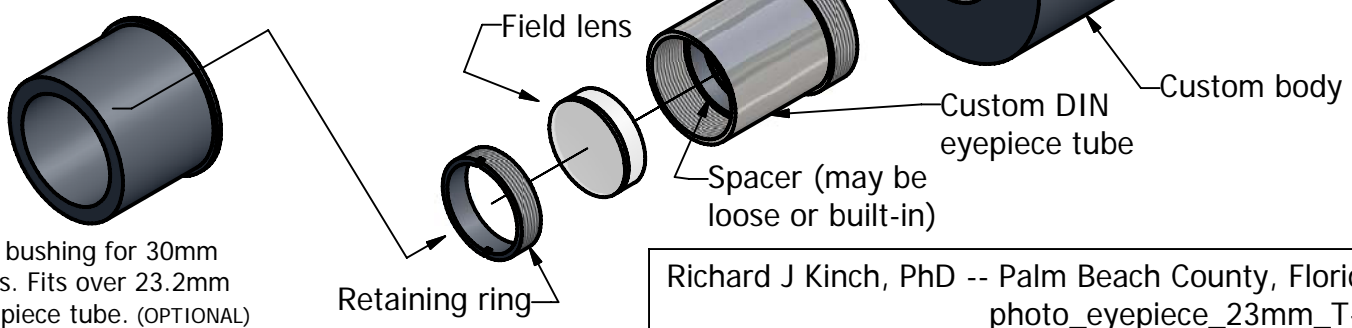


B

B

A

A



2



1