

TITLE:  
***Visco Type Fuse Machine  
(Complete-Isometric)***

BY: Daniel Turner | SHEET 1 OF 9

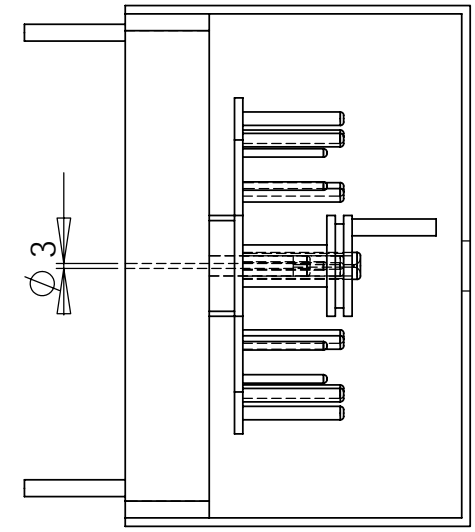
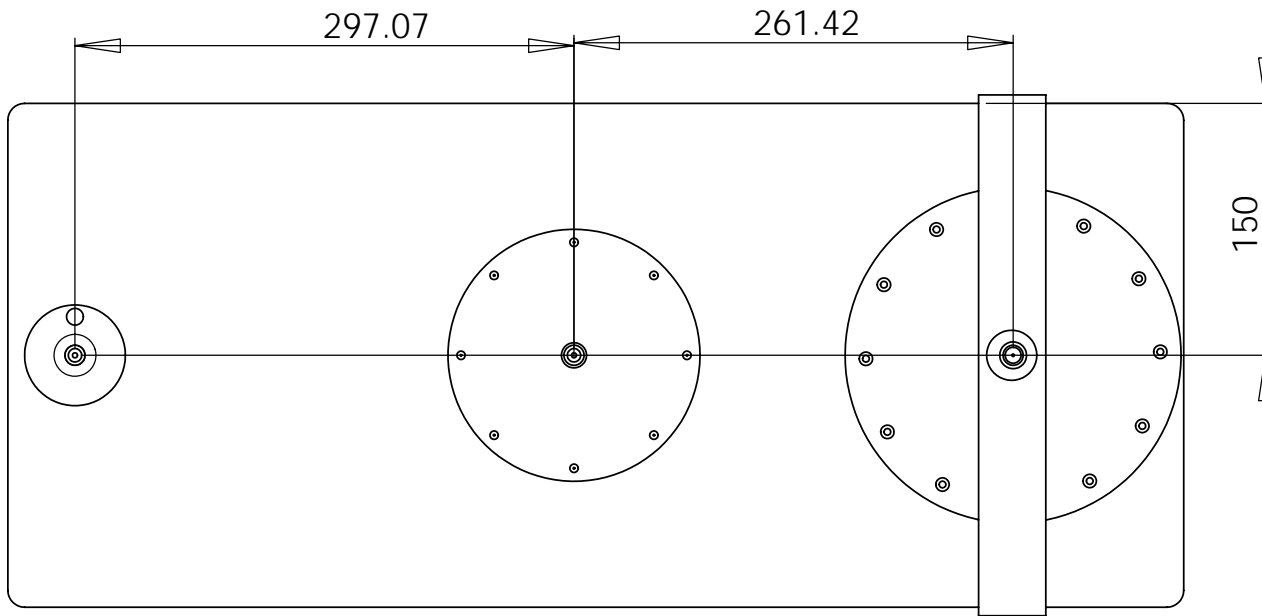
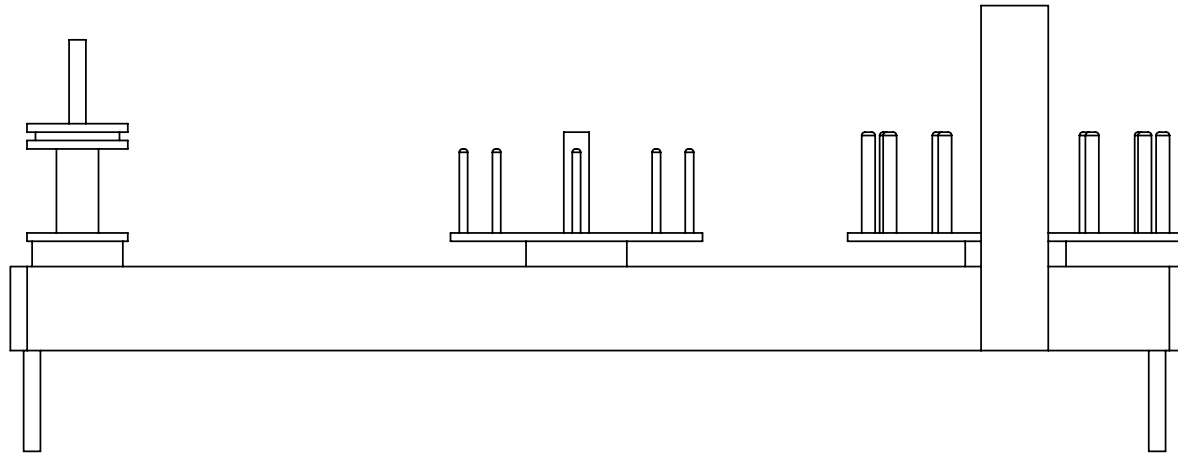
5

4

3

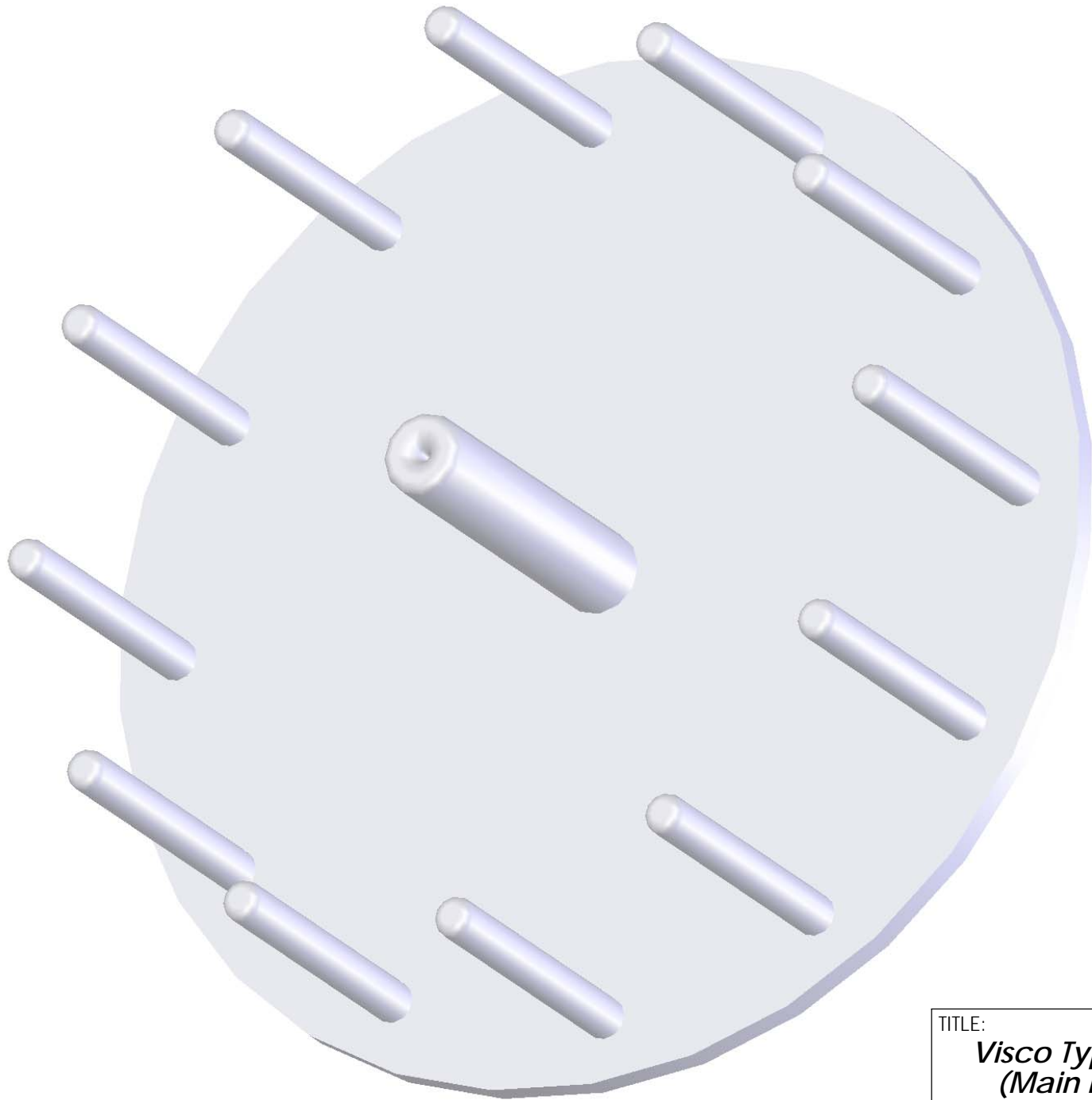
2

1



TITLE:  
***Visco Type Fuse Machine  
(Complete)***

BY: Daniel Turner | SHEET 2 OF 9



TITLE:  
***Visco Type Fuse Machine  
(Main Plate-Isometric)***

BY: Daniel Turner | SHEET 3 OF 9

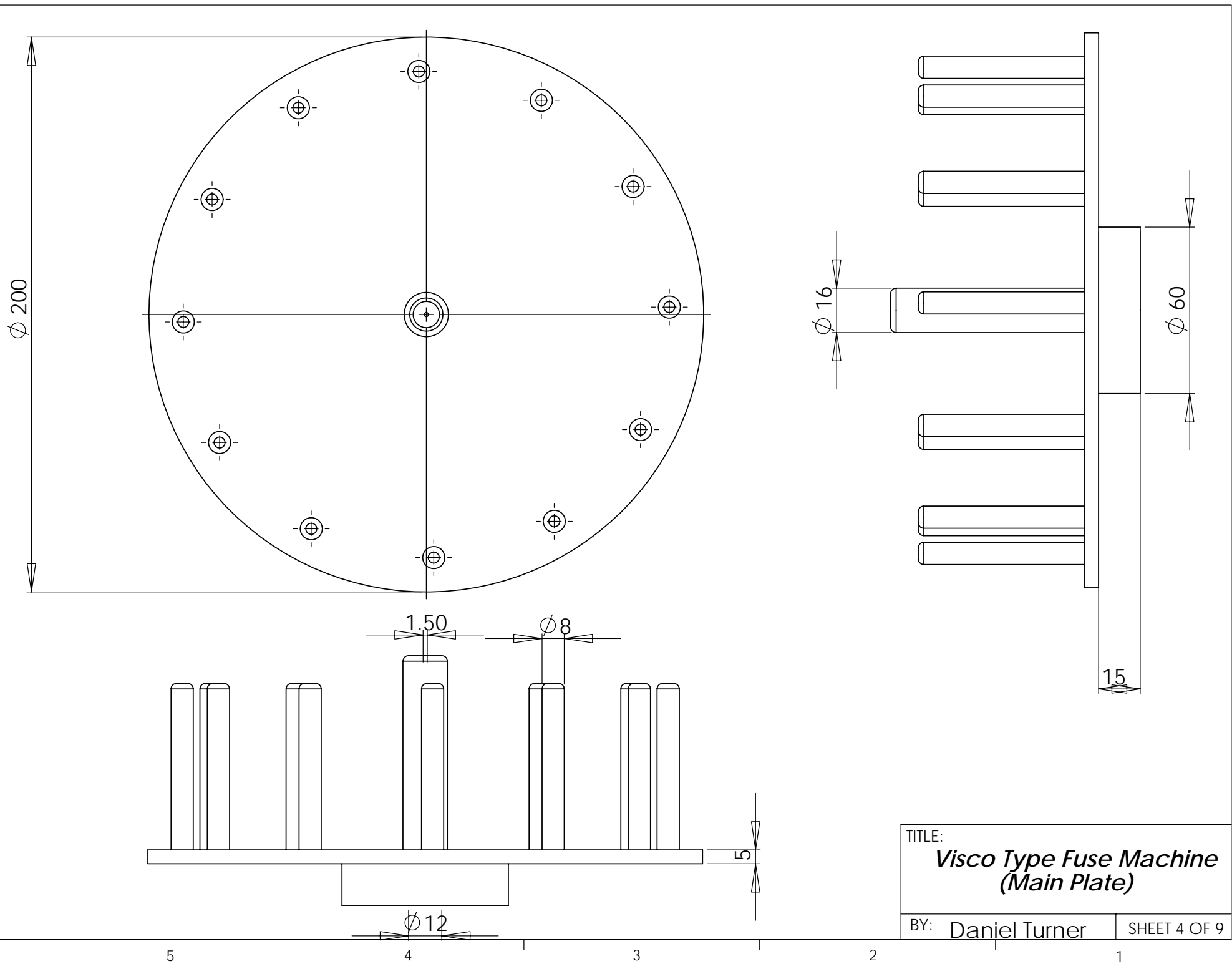
5

4

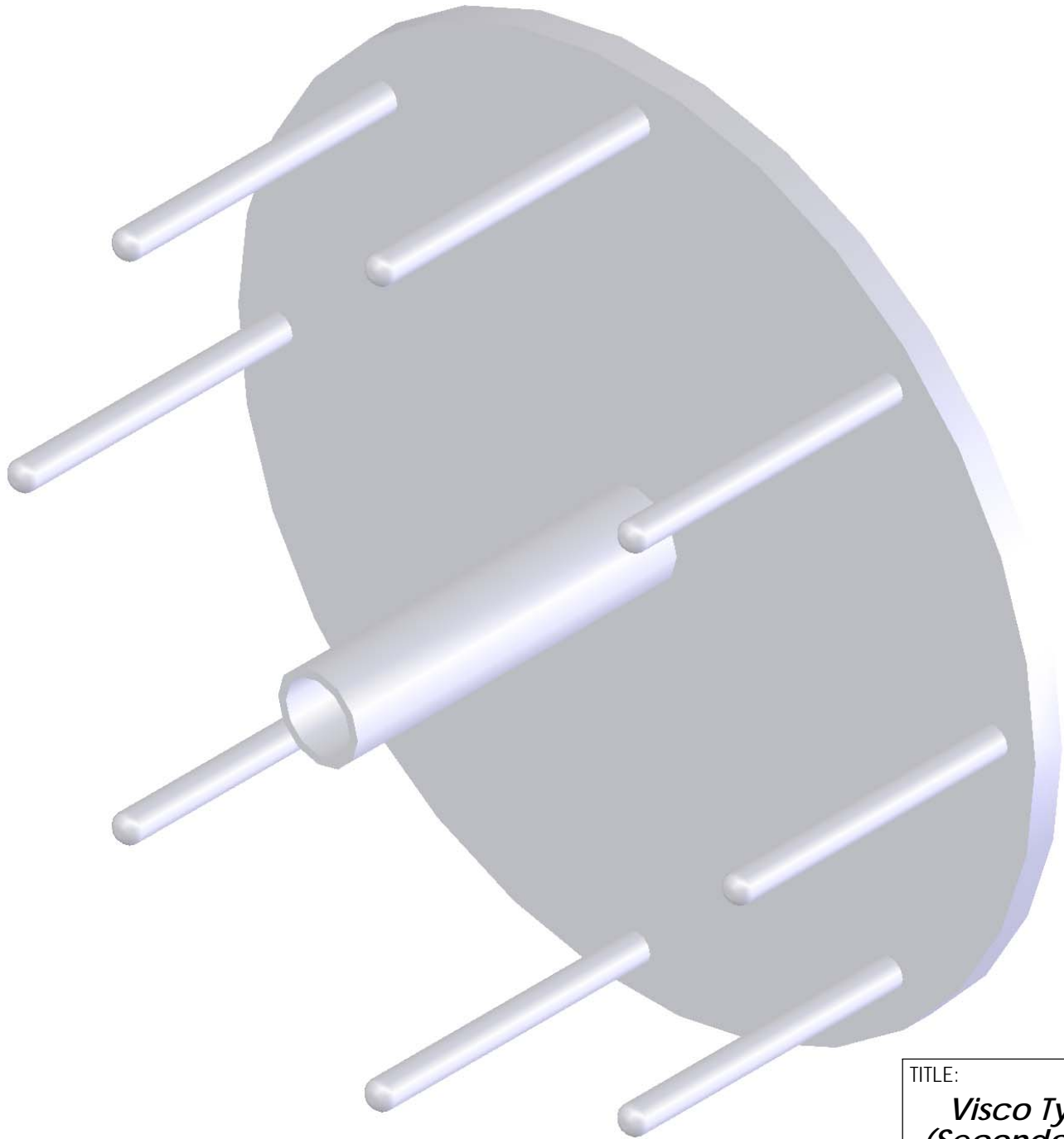
3

2

1



TITLE: <b>Visco Type Fuse Machine (Main Plate)</b>	
BY: Daniel Turner	SHEET 4 OF 9



TITLE:  
***Visco Type Fuse Machine  
(Secondary Plate-Isometric)***

BY: Daniel Turner | SHEET 5 OF 9

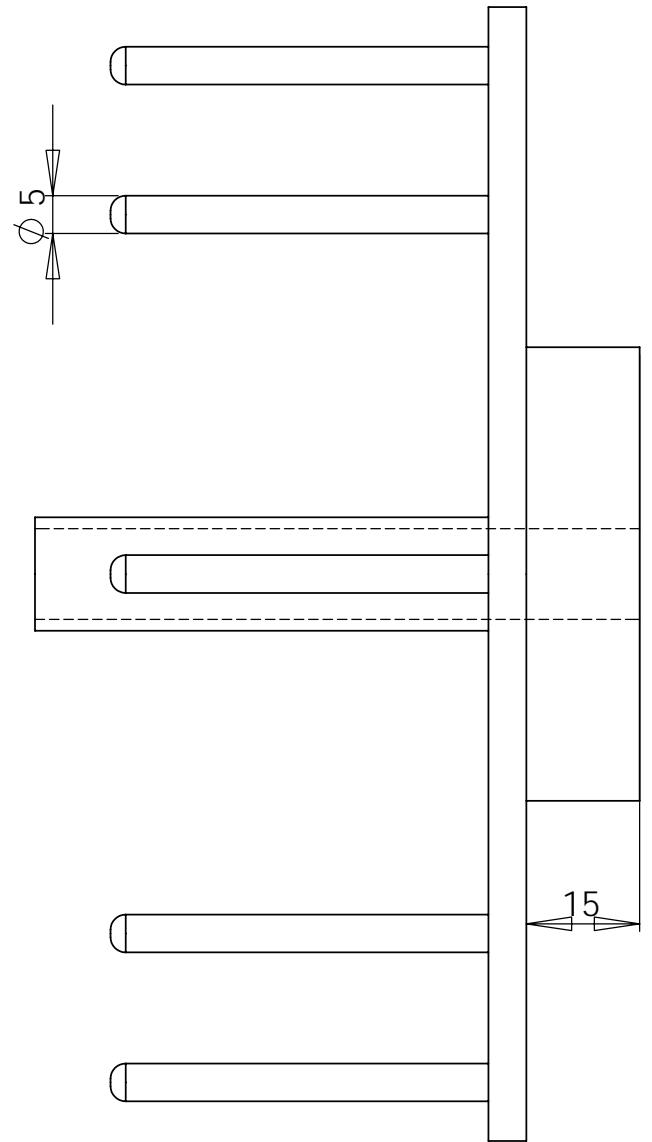
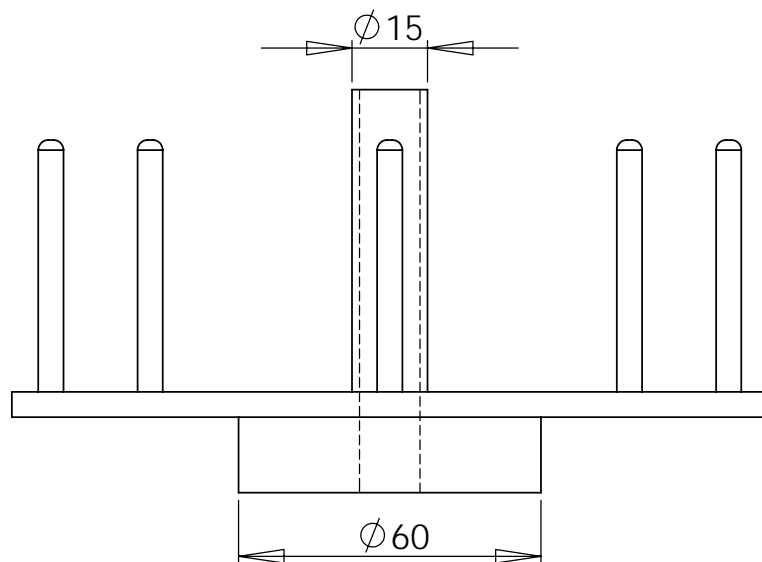
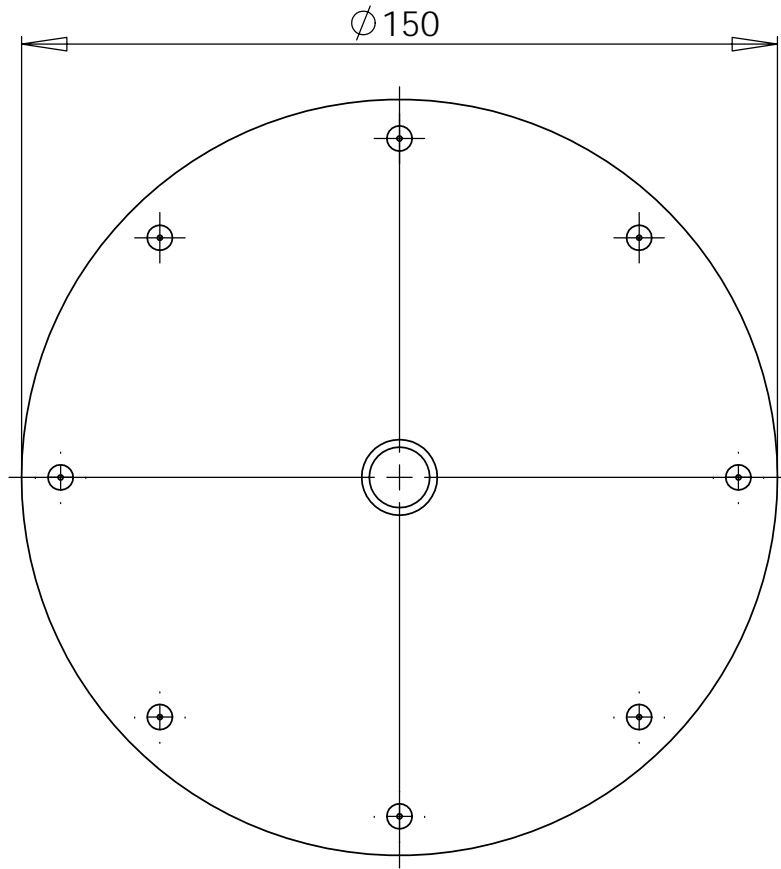
5

4

3

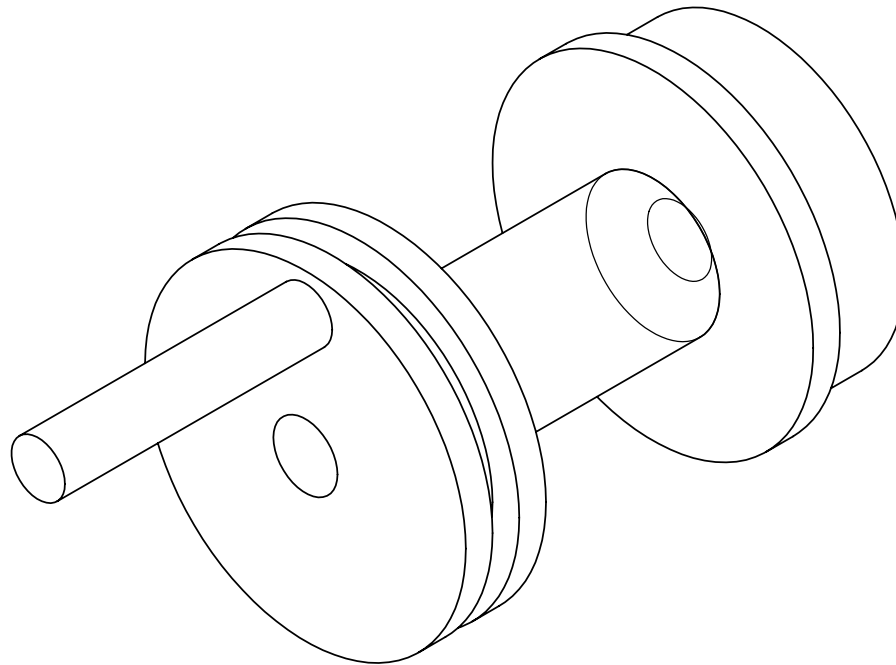
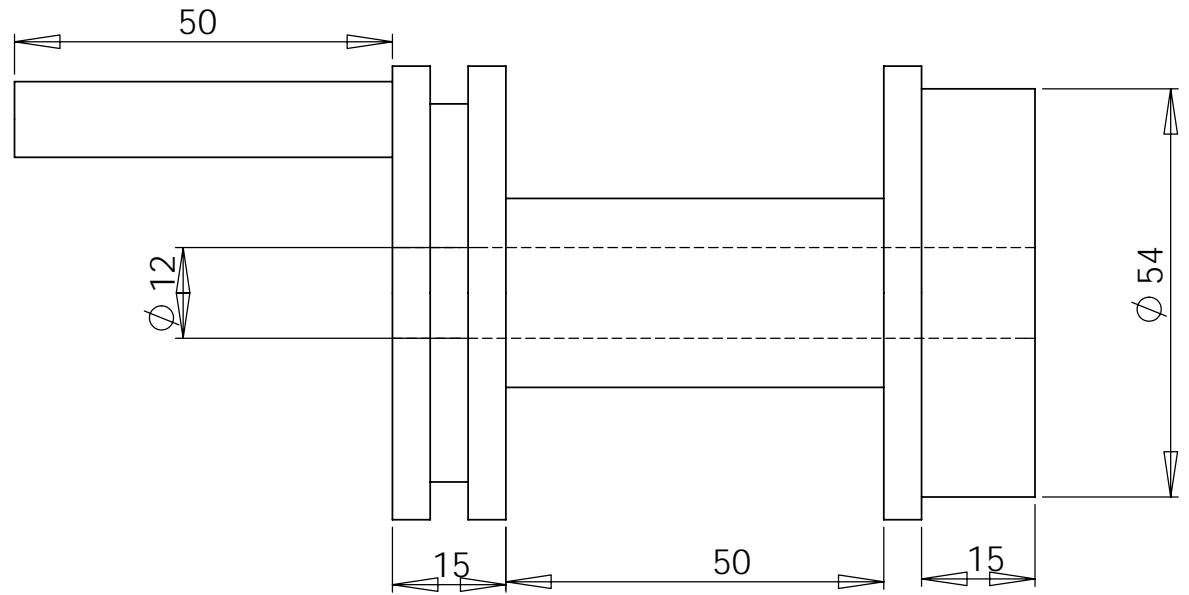
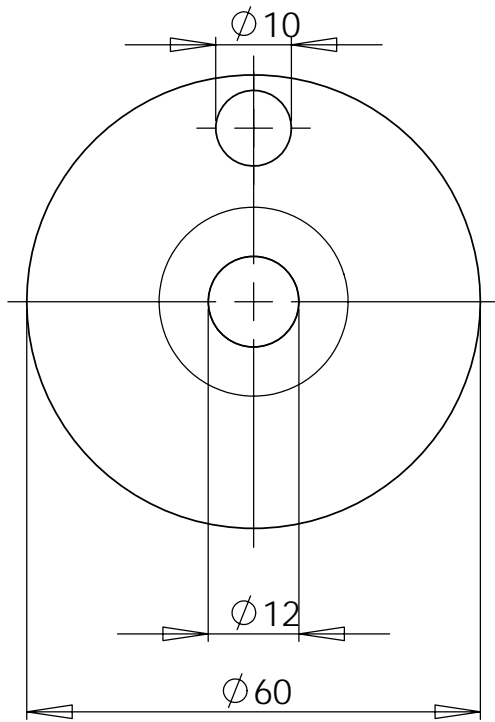
2

1



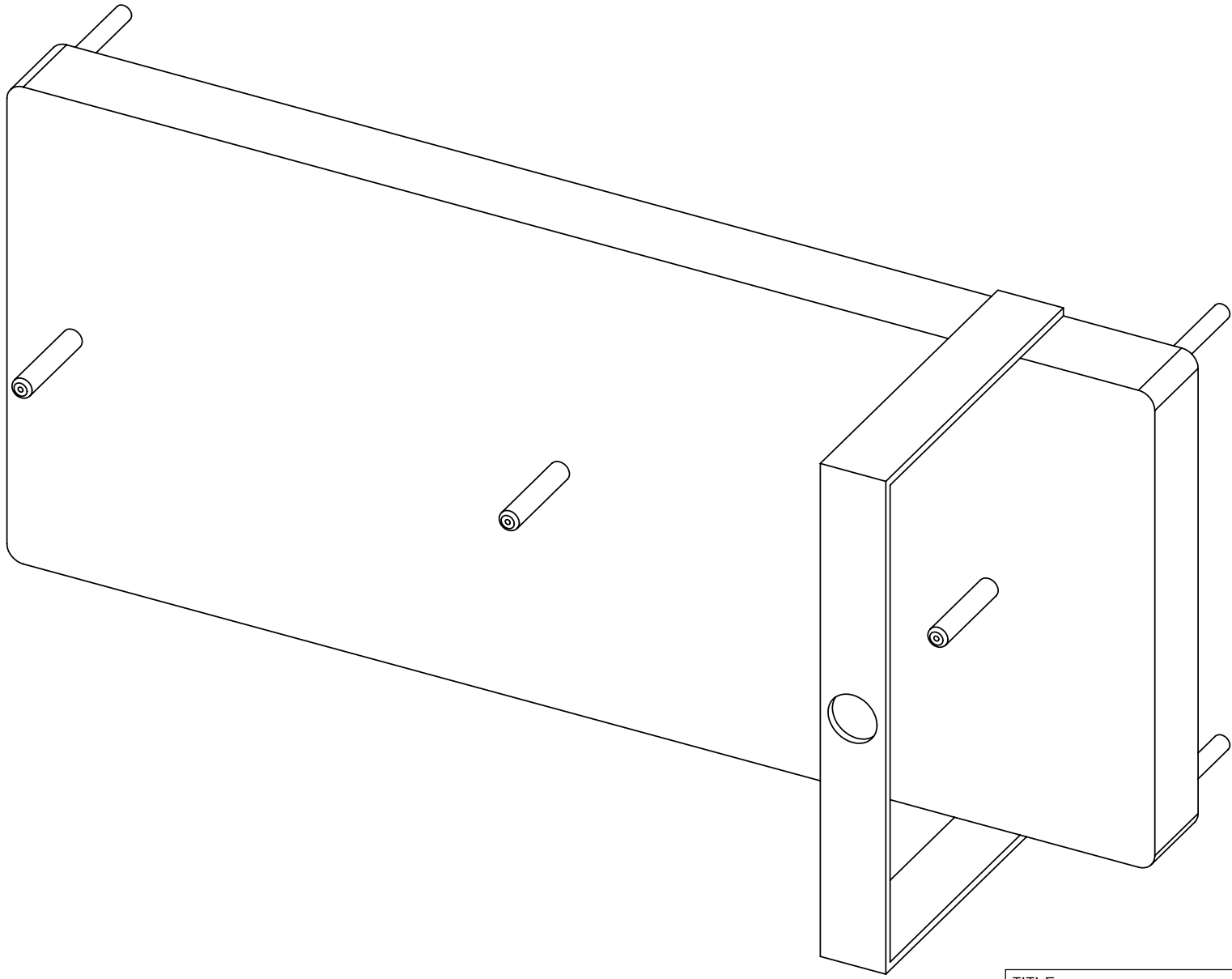
TITLE:  
*Visco Type Fuse Machine  
 (Secondary Plate)*

BY: Daniel Turner | SHEET 6 OF 9



TITLE:  
***Visco Type Fuse Machine  
 (Timing and Collection)***

BY: Daniel Turner | SHEET 7 OF 9



TITLE:  
***Visco Type Fuse Machine  
(Base-Isometric)***

BY: Daniel Turner

SHEET 8 OF 9

5

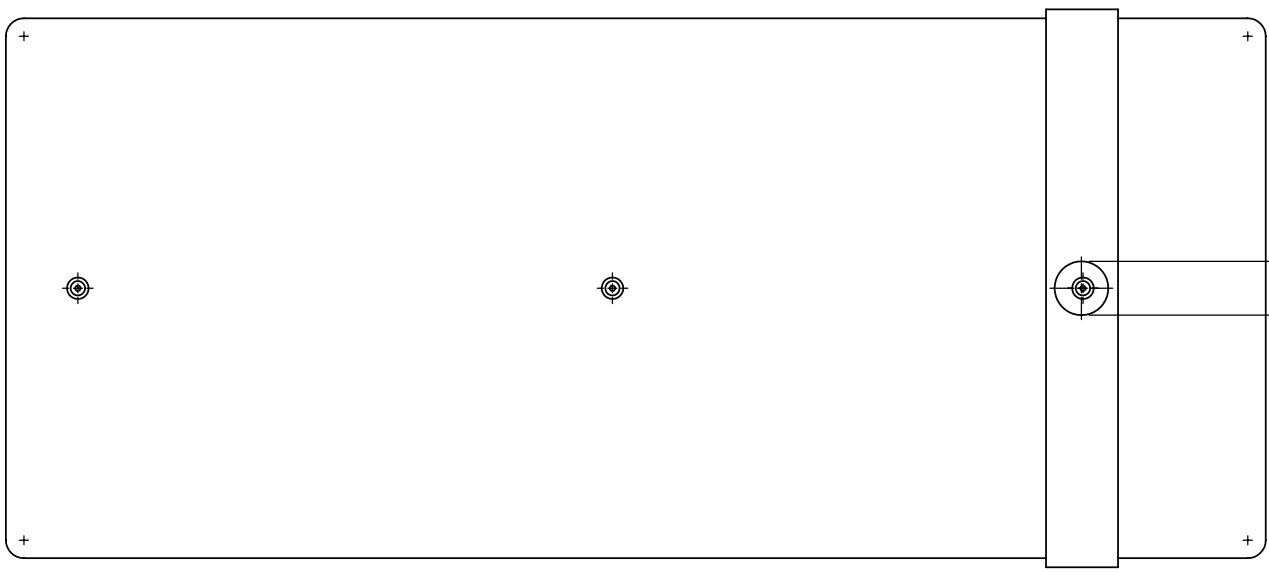
4

3

2

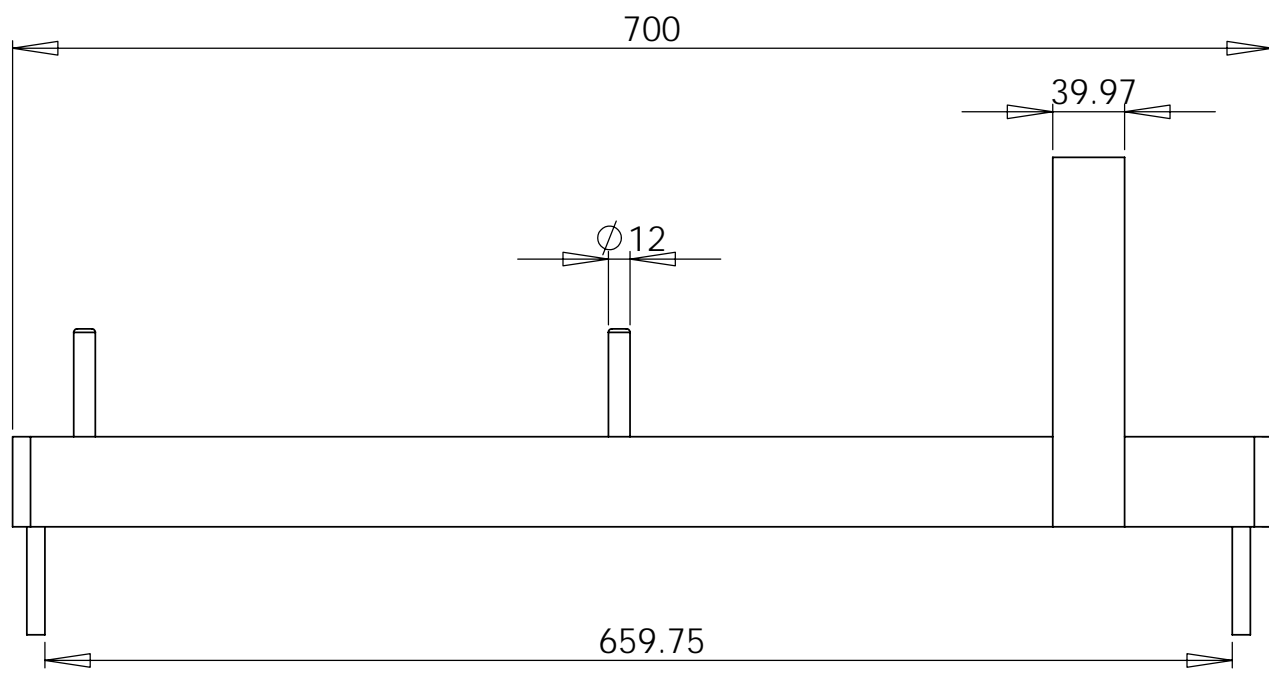
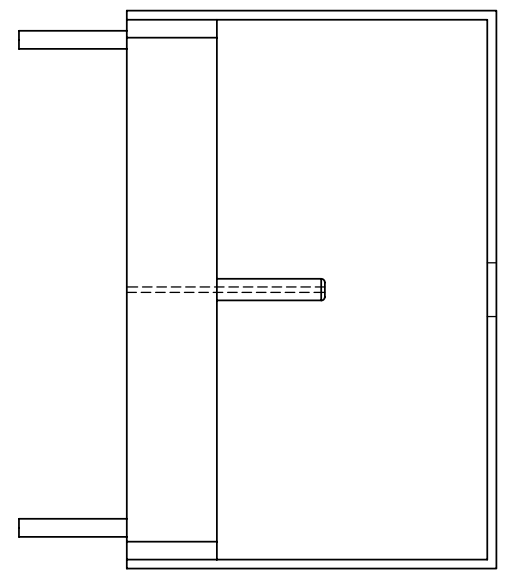
1





Funnel Hole  
(OPTIONAL:  
Add tracer)

$\phi 29.84$



TITLE:  
***Visco Type Fuse Machine  
(Base)***

BY: Daniel Turner | SHEET 9 OF 9